



SANYANG HEAVY MACHINERY

DREDGE BALL JOINT DREDGE BALL SOCKET

BROCHURE

Taizhou Sanyang Heavy Machinery Co.,Ltd.

www.sanyangjx.cn

2020.1.1 Rev8 By Niall WONG

Email : niall.wong@sanyangjx.cn

Introductions

Our standard ball joints have a maximum tilting angle of 22.5° , free rotating and full nominal passage in the maximum angle position, which can be used in many circumstances.

The ball-joint exists of three main parts:

- *Female part*
- *Male part*
- *Retaining ring, which locks the male in the female part.*

Technical Specifications

- *For inside pipe diameters: $\phi 400 - \phi 1200$ mm.*
- *Tilting angle male part: 15, 18 or 22.5° (Standard: 15°)*
- *Working pressure: 10~30 Bar (Standard: 10Bar)*

Email : niall.wong@sanyangjx.cn



Ball joint Applications

Our ball joints can be used in several situations and are suitable for the following applications:

- Connection between floating pipe lines;*
- Connection between pontoons;*
- Ship to shore connection;*
- Side discharge connections;*
- Connection between pipe lines on mountainous or hilly terrains.*

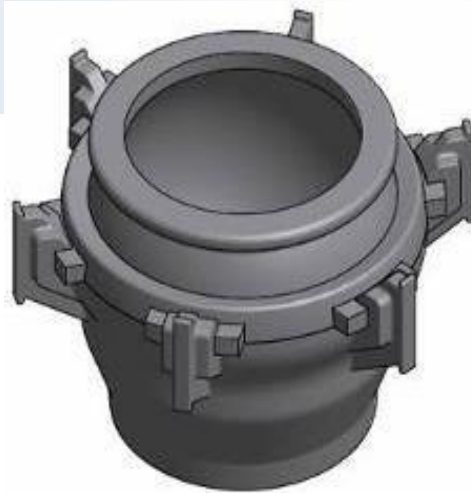


Ball joints options

We have produced thousands of ball joints and delivered them all over world. In addition to our wide range of standard designs we can offer the following options:

- *Alternative swivel angles;*
- *Higher operating pressures;*
- *Customized flanges on female and male part;*
- *Customized connections on female and male part for direct welding on pipes;*
- *liners in male and/or female part;*
- *Wear resistant liners.*

3D- DRAWING



Welding Connection Type



Flange Connection Type

- * *Dredge Ball Joints Diameter range from 400 to 1,200mm*
- * *Dredge Ball Joints Working pressures from 10 to 30bar*
- * *Dredge Ball Joints Long working life in abrasive conditions*
- * *Dredge Ball Joints Tilting angle of 15 ° , and 18 ° , and 22.5 ° in all directions*
- * *Dredge Ball Joints With the wear-resistant case liner*

Email : niall.wong@sanyangjx.cn

Assembly Line



(1) Make Molds



(2) Fabrication

(3) Installation & Test



(4) Packing & Shipment



15° Ball Joint

| Ser No. | Inner Diameter (mm) | 10 bar | | | | 20 bar | | | |
|---------|------------------------|--------------|------------|-------------|------------|--------------|------------|-------------|------------|
| | | Welding Type | | Flange Type | | Welding Type | | Flange Type | |
| | | Weight(Kg) | Price(USD) | Weight(Kg) | Price(USD) | Weight(Kg) | Price(USD) | Weight(Kg) | Price(USD) |
| DN400 | 400 | 260 | | 292 | | 332 | | 368 | |
| DN450 | 450 | 356 | | 405 | | 471 | | 536 | |
| DN500 | 500 | 485 | | 549 | | 645 | | 718 | |
| DN550 | 550 | 601 | | 672 | | 858 | | 930 | |
| DN600 | 600 | 799 | | 879 | | 1119 | | 1199 | |
| DN650 | 650 | 1189 | | 1315 | | 1432 | | 1565 | |
| DN700 | 700 | 1264 | | 1464 | | 1749 | | 1956 | |
| DN750 | 750 | 1566 | | 1783 | | 2258 | | 2484 | |
| DN800 | 800 | 1847 | | 2093 | | 2597 | | 2840 | |
| DN850 | 850 | 2188 | | 2438 | | 3108 | | 3365 | |
| DN900 | 900 | 2617 | | 2889 | | 3661 | | 3936 | |
| DN1000 | 1000 | 3585 | | 3883 | | 5043 | | 5341 | |
| DN1100 | 1100 | 4753 | | 5086 | | 6616 | | 6967 | |
| DN1200 | 1200 | 5946 | | 6308 | | 8539 | | 8924 | |

NOTE: All the weights are only for your reference and the real weights may be different.

Above prices are **FOB** price with minimum order one container.

All prices will be adjusted according to Customer Request & Quantity. 30-bar serial is available.

Email : niall.wong@sanyangjx.cn

18° Ball Joint

| Ser No. | Inner Diameter (mm) | 10 bar | | | | 20 bar | | | |
|---------|---------------------|--------------|------------|-------------|------------|--------------|------------|-------------|------------|
| | | Welding Type | | Flange Type | | Welding Type | | Flange Type | |
| | | Weight(Kg) | Price(USD) | Weight(Kg) | Price(USD) | Weight(Kg) | Price(USD) | Weight(Kg) | Price(USD) |
| DN400 | 400 | 356 | | 405 | | 505 | | 556 | |
| DN450 | 450 | 485 | | 549 | | 721 | | 782 | |
| DN500 | 500 | 651 | | 710 | | 1019 | | 1099 | |
| DN550 | 550 | 930 | | 1011 | | 1351 | | 1423 | |
| DN600 | 600 | 1185 | | 1168 | | 1734 | | 1814 | |
| DN650 | 650 | 1485 | | 1611 | | 2203 | | 2336 | |
| DN700 | 700 | 1778 | | 1978 | | 2685 | | 2892 | |
| DN750 | 750 | 2234 | | 2451 | | 3434 | | 3660 | |
| DN800 | 800 | 2698 | | 2944 | | 3996 | | 4239 | |
| DN850 | 850 | 3188 | | 3438 | | 4798 | | 5055 | |
| DN900 | 900 | 3717 | | 3989 | | 5502 | | 5777 | |
| DN1000 | 1000 | 5284 | | 5582 | | 7623 | | 7921 | |
| DN1100 | 1100 | 6952 | | 7285 | | 10010 | | 10361 | |
| DN1200 | 1200 | 9002 | | 9364 | | 12860 | | 13245 | |

NOTE: All the weights are only for your reference and the real weights may be different.

Above prices are **FOB** price with minimum order one container.

All prices will be adjusted according to Customer Request & Quantity. 30-bar serial is available.

Email : niall.wong@sanyangjx.cn

Complementary Notes

- *Our Ball Joints can be supplied in any pipe diameter as the customer may require*
- *Our ball joints can be customized to client's requirements*
- *State of the art 3D CAD design is used*
- *Tilting angle of the standard ball joints is 15 ° , larger tilting angles (18 ° or 22.5 °) are optional*
- *Short Delivery Times*



CONTACT

Contact Person: **Mr. Niall WONG**
Exporting Manager

*Taizhou Sanyang Heavy Machinery Co.,Ltd.
(Exporting Via Taizhou Xufeng Tec Co.,Ltd.)*

*Add : No.86 East Yingchun Road, Industrial Park, Hailing
District, Taizhou, JiangSu, China*

Tel/Fax: 86-523-86660162 MP/Wechat: 86-18605231788

E-mail : niall.wong@sanyangjx.cn sales@sanyangjx.cn

[Web: www.sanyangjx.cn](http://www.sanyangjx.cn)